

A black and white photograph of a Laguna skimmer filter pump installed in a stream. The pump is a dark, cylindrical unit with a coiled power cord at the top and a vertical outlet pipe on the right side. Water is flowing over the pump's top surface, creating a small waterfall effect.

SKIMMER FILTER PUMP

Operation and Maintenance Guide

POMPE ÉPURATRICE

Notice d'installation et d'entretien

BOMBA CON RECOGEDOR

Guía de instalación y de mantenimiento

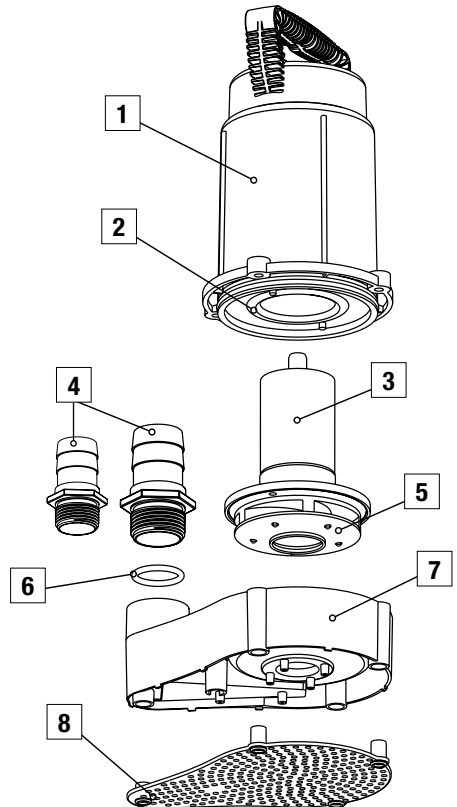
*Beautifully simple water gardening
Aménager un bassin de jardin : merveilleusement simple
Perfecto para la jardinería acuática*

PARTS · PIÈCES · PIEZAS

1	Motor housing / Boîtier du moteur / Carcasa del motor del motor
2	Motor assembly O-ring / Joint torique du bloc-moteur / Junta tórica del conjunto del motor
3	Rotor assembly / Bloc-rotor / Conjunto del rotor
4	1" (26 mm) & 1 ¼" (32 mm) Outlet adapters / Adaptateurs de sortie / Adaptadores de salida
5	Impeller / Impulseur / Impulsor
6	Outlet adapter O-ring / Joint torique de l'adaptateur de sortie / Carcasa del orificio de salida
7	Outlet housing / Boîtier de l'adaptateur de sortie / Carcasa del orificio de salida
8	Filter screen / Crépine / Pantalla filtrante

REPLACEMENT PARTS PIÈCES DE RECHANGE ARTÍCULOS DE REPUESTO

Motor assembly O-ring (x1) Outlet adapter O-ring (x1) Joint torique du bloc-moteur (x1) Adaptateur de sortie (x1) Junta tórica del conjunto del motor(x1) Adaptador de salida (x1)	PT364
1 ¼" (32 mm) Outlet adapter (x1) Adaptateur de sortie (x1) Adaptador de salida (x1)	PT365
1" (26 mm) Outlet adapter (x1) Adaptateur de sortie (x1) Adaptador de salida (x1)	PT366
Filter Screen (x1) Crépine (x1) Pantalla filtrante (x1)	PT367



PUMP SPECIFICATIONS • SPÉCIFICATIONS DE LA POMPE • ESPECIFICACIONES DE LA BOMBA

Maximum Flow Rate • Débit d'eau maximum • Caudal de agua máximo	1500 GPH (5700 LPH)
Maximum Head Height • Hauteur maximum de la colonne Altura máxima de elevación	20' (6 m)
Maximum Pond Volume • Volume maximum du bassin Volumen máximo del estanque	3000 US gal (11400 L)
Wattage • Puissance en watts • Vataje	190 W
Voltage • Tension • Voltaje	110-120V / 60 Hz
Amperage • Intensité de courant • Amperaje	1.75 A
Power Cord Length • Longueur du cordon d'alimentation Longitud del cable de alimentación	32'8" (10 m)
Outlet Diameter • Diamètre de sortie d'eau • Diámetro de salida	1 ¼" (Ø 32mm), 1" (Ø 26mm)
Measures • Mesures • Medidas	6.9"x 4.9"x 8.7" (17.6 x 12.4 x 22.2 cm)

PUMP PERFORMANCE • RENDEMENT DE LA POMPE • RENDIMIENTO DE LA BOMBA

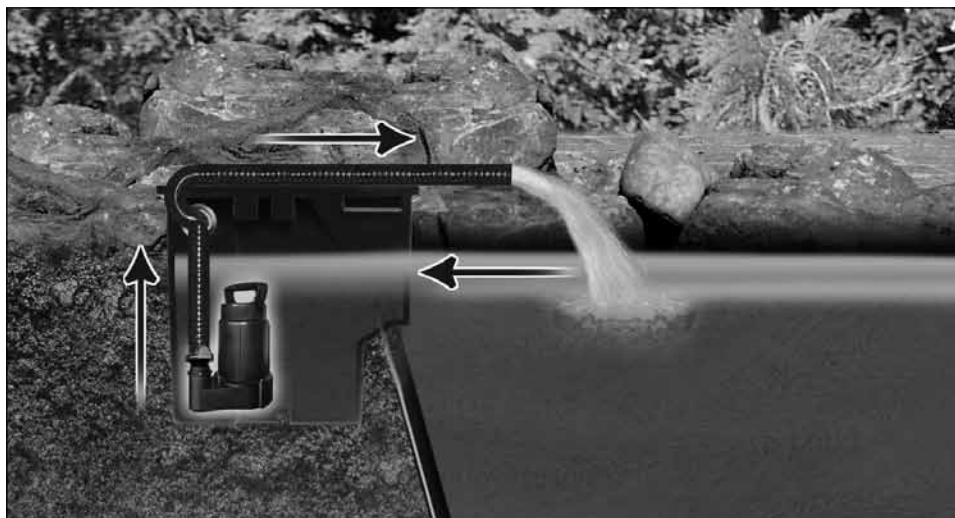
Head Height • Hauteur de la colonne • Altura de elevación	Flow rate • Débit d'eau • Caudal
24 ft / 7.32 m	0 GPH / 0 LPH
21 ft / 6.4 m	2.6 GPH / 10 LPH
18 ft / 5.5 m	245 GPH / 927 LPH
15 ft / 4.57 m	492 GPH / 1862 LPH
12 ft / 3.66 m	812 GPH / 3073 LPH
9 ft / 2.74 m	1158 GPH / 4383 LPH
6 ft / 1.83 m	1387 GPH / 5250 LPH
6 ft / 1.83 m	1619 GPH / 6128 LPH
0 ft / 0 m	1823 GPH / 6900 LPH

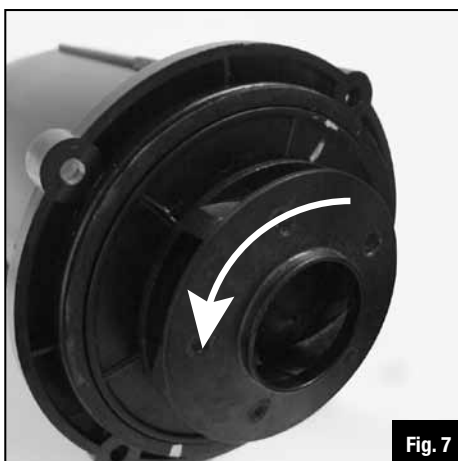
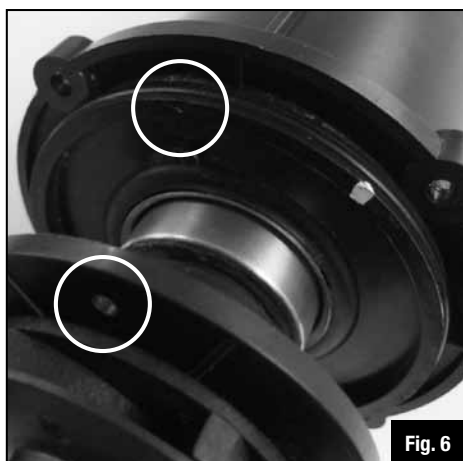
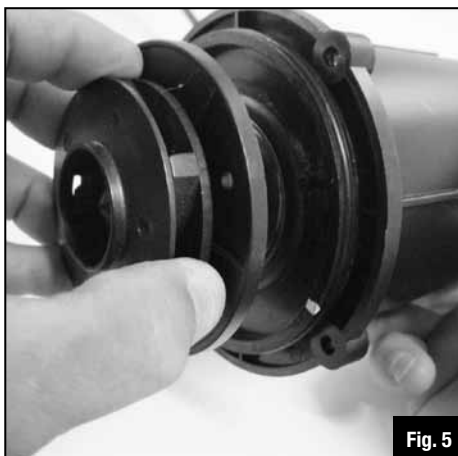
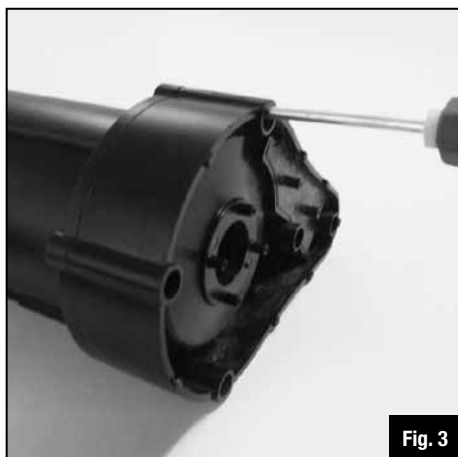
Fig. 1

Inside Skimmer Installation • Installation de la pompe à l'intérieur • Instalación del recogedor interno



**Examples of different installations • Exemples de différentes installations
Ejemplo de diferentes instalaciones**





Laguna Skimmer Pump (PT362) - For freshwater and submersible use only - Read thoroughly prior to installation and operation.

IMPORTANT SAFETY INSTRUCTIONS

WARNING - To guard against injury, basic safety precautions should be observed, including the following:

1. READ AND FOLLOW ALL SAFETY INSTRUCTIONS

And all the important notices on the use and maintenance of this appliance. Disregarding this advice may result in damage to the pump or personal injury.

2. **DANGER** –To avoid possible electric shock, special care should be taken since water is employed in the use of pond equipment. For each of the following situations, do not attempt repairs yourself; return the appliance to the store where it was purchased if still under warranty:
 - A. If the appliance shows any sign of abnormal water leakage or if RCD (or GFCI- Ground Fault Current Interrupter) switches off, disconnect the power supply cord from mains (main power supply) and remove pump from water.
 - B. Carefully examine the appliance after installation. Do not operate any appliance if it has a damaged cord or plug, or if it is malfunctioning or if it is dropped or damaged in any manner. The power cord of this appliance cannot be replaced; if the cord is damaged, the appliance should be discarded. Never cut the cord.
3. **WARNING** – Close supervision is necessary when any appliance is used by or near children. This appliance is not intended for use by persons (including children) with reduced physical, sensory or mental capabilities, or lack of experience and knowledge, unless they have been given supervision or instruction concerning use of the appliance by a person responsible for their safety. Children should be supervised to ensure that they do not play with the appliance.
4. To avoid injury, do not touch moving or hot parts.
5. **CAUTION** – Always unplug or disconnect all appliances in the pond from the electrical supply before placing hands in water, before putting on or taking off parts and while the equipment is being installed, maintained or handled. When inserting or removing the pump from the water, always pull out the main electrical plug. Never yank the cord to pull the plug from outlet. Grasp the plug and pull to disconnect. Always unplug an appliance from an outlet when not in use. Never lift the Pump by the cord. Use the unit handle.
6. This is a pond pump for freshwater, submersible and Household Use Only. This pump has been evaluated for use with water and in ornamental ponds only. Do not use this pump for other than intended use (i.e.: do not use in swimming pools, bathrooms, etc.). The use of attachments not recommended or sold by the appliance manufacturer may cause an unsafe condition.
 - Do not use this pump in swimming pools or other situations where people are immersed;
 - This pump is suitable for use in water temperatures up to 35 °C;
 - Do not use this pump with inflammable or drinkable liquids.
7. Do not install or store the appliance where it will be exposed the weather or to temperatures below freezing. Remove and store the pump in a sheltered place. Shelter pump also from direct sunlight. The materials have high stability to sunlight but direct rays may overheat the motor and speed up insulator aging.
8. **IMPORTANT** – Make sure that the pump is securely installed before operating it. Do not allow the pump to run dry. The pump must be immersed in water completely. This pump must never operate outside of water.
9. If an extension cord is necessary, ensure connection is watertight and dust proof. A cord with proper rating should be used. A cord rated for less amperes or watts than the appliance rating may overheat. Care should be taken to arrange the cord so that it will not be tripped over or pulled. The connection should be carried out by a qualified electrical installer.

10. IMPORTANT – Electrical connection must be in accordance with data on the rating label; the appliance can be operated only after having been correctly installed. The electrical safety is guaranteed only when the item is connected to a residual current device (RCD) or Ground Fault Circuit Interrupter (GFCI) having a rated residual operating current not exceeding 30 mA.

11. WARNING – Risk of electric shock. This appliance is equipped with a grounded, type 3-wire cord (3-prong plug). This plug will only fit into an electrical outlet made for a 3-prong plug. This is a safety feature. If the plug should fail to fit the outlet, contact an electrician to replace the outlet. Do not attempt to defeat the safety purpose of the grounding pin part of the 3-prong plug. Ensure that it is connected only to a properly grounded RCD or GFCI equipped receptacle rated at 30mA.

SAVE THESE INSTRUCTIONS FOR FUTURE REFERENCE

PUMP INSTRUCTIONS GENERAL INFORMATION

Properly installed, Laguna Skimmer Pump provides powerful and uninterrupted water circulation and requires minimal maintenance.

- This pump comes supplied with two outlet adapters (1 ¼" (Ø 32mm) / 1" (Ø 26mm)).
- This pump is completely submersible and designed to run continuously in fresh water at temperatures no higher than 35°C (95°F).
- The motor unit and electrical connections are hermetically sealed to ensure safe and lasting operation under extreme water conditions.
- When used with the filter screen (at base of pump), this pump will remove water down to 5 mm. To remove water with a level lower than 5mm, the filter screen should be removed; water can be drawn away down to 2 mm without damage to the pump.
- This pump features a magnetic-driven motor that delivers an astounding amount of water flow and head height making it suitable for large waterfalls and filtering systems.
- This pump can be used with Laguna Skimmer (PT495); installed inside the pump chamber located at the back of the Skimmer.
- This pump cannot be used for drinkable liquids, sea water, or inflammable, corrosive, explosive or dangerous liquids.

WARNING: Always unplug or disconnect all appliances in the pond from the electrical supply before installing, repairing, maintaining or handling the equipment in the water.

Important: To achieve the best pump operation, always use the largest bore hose possible. Avoid sharp bends in the hosing; gradual curves are preferred.

INSTALLATION

WARNING: Do not plug in the pump before it is correctly and fully installed.

1. Screw in the outlet adapter provided (1 ¼" (Ø 32mm) or 1" (Ø 26mm) according to your requirements
2. Connect 1-1/4" or 1" of flexible hose (not included) to the hose outlet adapter.
3. Place the pump in the pond. Ensure that the pump is placed on a flat and level surface, in a stable and vertical position, with maximum inclination of 15°. In order to prevent the pump from sucking up dirt directly from the pond bottom, we recommend that you install it on an elevated surface (such as a brick or rock) that is at least 4" (10 cm) from the pond bottom.
4. Plug in the pump.

WARNING: The pump should be fully submerged in the water for proper cooling of the motor. The pump motor is designed to be cooled by water. Do not run the pump dry. Running the pump dry will damage the motor.

INSIDE SKIMMER (PT495) INSTALLATION (Fig. 1)

WARNING: Do not plug in the pump before it is correctly and fully installed.

1. Place the pump inside the chamber at the back of the Skimmer.
2. Connect 1-1/4" or 1" of flexible hose (not included) to the hose outlet adapter. Use a hose clamp to secure the connection.
3. The Skimmer is outfitted with predrilled pump outlets in either side of the enclosures. Run the tubing inside the chamber through the side opening of the Skimmer (whichever side of the Skimmer is most compatible with your application). The pump outlets are drilled above water level, so there is no need for this to be a water tight connection. The pre-drilled hole that is not being utilized can simply be blocked off with a flat stone on the outside of the enclosure.
4. Run the other end of the tubing to the appropriate pond equipment.
5. Run the electrical cord over the back of the Skimmer.

6. Replace the lid.
7. Install Skimmer (PT495) as per its instructions.

TIP: Ensure that the length of tubing that you will connect to the pump output is long enough to perform the desired task.

MAINTENANCE

IMPORTANT: The motor unit and electrical connections are hermetically sealed and are free of maintenance. Disassembling the motor or alteration of the power cord will void the warranty. The power cord cannot be replaced. In case of damage to the cord, the pump should be thrown out and replaced.

CLEANING AND MAINTAINING THE IMPELLER

WARNING: Always unplug or disconnect all appliances in the pond from the electrical supply before installing, repairing, maintaining or handling the equipment in the water.

To avoid shortening the lifespan of the pump, follow these simple maintenance procedures:

1. Once a week, verify that the pump performance is satisfactory. If you detect decreasing pump performance, clean the filter screen, impeller, and outlet housing, following the instructions below:
2. Disconnect the pump from its power source and move the appliance to a dry and safe area.
3. Remove the filter screen from the bottom of the pump. (Fig. 2).
4. Unscrew the outlet housing (x 4 screws) (Fig. 3) and remove lightly tapping downward on the outlet housing. (Fig. 4).
5. Take out the rotor assembly from the motor housing. (Fig. 5).
6. Clean the filter screen, outlet housing and rotor assembly with clean running water. Remove any solids or excessive build up of debris from the impeller veins.
7. **Once clean:**
 - A. It is advisable to lubricate the motor assembly o-ring with Laguna Silicone (PT595) Lubricant. This will facilitate subsequent disassembly for maintenance.
 - B. Reassemble rotor assembly carefully to the pump body (ensure that the o-ring to the motor is in place). In order for the rotor to fit properly, take care to ensure that the pilot holes on the outlet housing and locating pins on the motor housing are in-line. (Fig. 6).
 - C. Gently rotate the impeller to ensure it is turning smoothly. (Fig. 7).
 - D. Reassemble the outlet housing onto the motor housing and refasten the screws (x4).
 - E. Replace the filter screen (if required).

IMPORTANT: Ensure that the impeller cover is fully submerged in water prior to plugging in the pump.

WINTERIZING THE PUMP

Never use in freezing temperatures

1. Unplug and remove the pump from the pond.
2. Gently scrub off any dirt and debris with a soft nylon brush.
3. Thoroughly clean the pump as per instructions in this manual.
4. Store indoors for best results. Do not store the pump in below-freezing temperatures.
5. When re-opening your pond or water feature in the spring, submerge the pump in the pond for 1 hour prior to starting the pump.

WARRANTY – This Pump is warranted for defects in material or workmanship for a period of three (3) years from date of purchase. This warranty is valid only under normal operating conditions for which the Pump is intended. Pumps will be repaired or replaced at manufacturer's discretion, free of charge. This warranty does not apply to any unit that has been subjected to misuse, negligence, tampering, accidental damage or damage due to faulty packaging or mishandling in transit. This warranty does not cover normal wear of parts and does not apply to any unit that has been used for commercial purposes. This warranty is limited to the Pump unit only. The warranty does not cover any pump that has not undergone regular routine cleaning and maintenance as stated in user guide. The motor is factory sealed with an epoxy resin, tampering will void warranty. The impeller housing should still be accessed for regular maintenance. The Impeller is not covered by the warranty. No liability is assumed with respect to loss or damage to livestock or personal property irrespective of the cause thereof. This warranty does not affect your statutory rights. This warranty does not cover damage or defects caused by or resulting from damages from shipping or repairs, service or alterations to the product or any of its parts, which have been performed by a repair person not authorized by Rolf C. Hagen Inc.

To register your warranty on line or for more information on this and other products, go to www.hagen.com.

Pompe épuratrice Laguna (PT362) - Pompe submersible à utiliser en eau douce seulement - Lire en entier avant d'installer et de faire fonctionner.

MESURES DE SÉCURITÉ IMPORTANTES

MISE EN GARDE - Pour éviter toute blessure, il faut observer des précautions élémentaires de sécurité, y compris les suivantes.

1. LIRE ET SUIVRE TOUTES LES MESURES DE SÉCURITÉ

ainsi que toutes les notes importantes relatives à l'utilisation et à l'entretien de cette pompe. Le non-respect des précautions peut entraîner des dommages à l'appareil ou des blessures.

2. **DANGER** – Pour éviter tout risque de choc électrique, il faut faire particulièrement attention puisque l'équipement de bassin est utilisé dans l'eau. Dans chacune des situations suivantes, ne pas essayer de réparer l'appareil soi-même; le retourner plutôt au magasin où il a été acheté s'il est encore sous garantie :
 - A. Si l'appareil montre un signe de fuite d'eau anormale ou si le dispositif différentiel (ou disjoncteur de fuite de terre) s'éteint, débrancher le cordon électrique de l'alimentation principale et retirer la pompe de l'eau.
 - B. Examiner attentivement l'appareil après l'installation. Ne pas faire fonctionner un appareil dont la fiche ou le cordon sont endommagés, qui ne fonctionne pas correctement ou qui est tombé ou a été endommagé d'une façon quelconque. Le cordon d'alimentation de cet appareil ne peut être remplacé; si le cordon est endommagé, il faut jeter l'appareil. Ne jamais couper le cordon d'alimentation
3. **AVERTISSEMENT** – Il est nécessaire de surveiller étroitement les enfants qui utilisent cet appareil ou qui se trouvent à proximité. Cet appareil ne doit pas être utilisé par des personnes (y compris des enfants) aux capacités physiques, sensorielles ou mentales réduites, ou manquant d'expérience ou de connaissances, à moins qu'elles soient placées sous la supervision d'une personne chargée de leur sécurité ou qu'elles en aient reçu les directives nécessaires à l'utilisation de cet appareil. Bien surveiller les enfants pour les empêcher de jouer avec cet appareil.
4. Pour éviter toute blessure, ne toucher aucune pièce mobile ou chaude.
5. **ATTENTION** – Toujours débrancher tous les appareils électriques dans le bassin avant de mettre les mains dans l'eau, avant d'installer ou d'enlever des pièces et pendant que l'équipement est installé, entretenu ou manipulé. Au moment de déposer la pompe dans l'eau ou de l'en retirer, toujours la débrancher de l'alimentation principale. Ne jamais tirer sur le cordon d'alimentation pour débrancher l'appareil, mais plutôt prendre la fiche même entre les doigts et tirer à partir de celle-ci. Toujours débrancher tout appareil qui n'est pas utilisé. Ne jamais soulever la pompe par le cordon électrique. Utiliser la poignée de l'appareil.
6. **ATTENTION** – Cette pompe submersible ne doit être utilisée que pour usage domestique et en eau douce. Cette pompe a fait l'objet d'une évaluation dans le seul contexte d'un bassin décoratif. Ne pas employer cette pompe pour un usage autre que celui prévu (c.-à-d. : ne pas l'utiliser dans des piscines, des salles de bain, etc.). L'emploi de fixations ni recommandées ni vendues par le fabricant de l'appareil peut être source de situations dangereuses.
 - Ne pas utiliser cette pompe dans une piscine ou dans toute autre situation où des personnes sont dans l'eau.
 - Cette pompe a été fabriquée pour fonctionner dans de l'eau dont la température ne dépasse pas 35 °C.
 - Ne pas se servir de cette pompe avec des liquides inflammables ni potables.
7. Ne pas installer ni ranger l'appareil où il serait exposé aux intempéries ou à des températures sous le point de congélation. Retirer et ranger la pompe dans un endroit à l'abri. La protéger de la lumière directe du soleil. Les matériaux ont une stabilité élevée à la lumière du soleil, mais les rayons directs peuvent faire surchauffer le moteur et accélérer l'usure de l'isolateur.
8. **IMPORTANT** – S'assurer que la pompe est solidement installée avant de la faire fonctionner. Ne pas faire fonctionner la pompe à sec. La pompe doit être entièrement immergée dans l'eau. Cette pompe ne doit jamais fonctionner en dehors de l'eau.
9. Si une rallonge électrique est nécessaire, s'assurer que la connexion est étanche et à l'abri de la saleté. Si une rallonge électrique est nécessaire, vérifier qu'elle est d'un calibre suffisant. Un cordon électrique de moins d'ampères ou de watts que l'appareil peut surchauffer. Des précautions doivent être prises afin d'éviter qu'on tire la rallonge ou qu'on trébuché dessus. Le raccordement doit être effectué par un électricien qualifié.

- 10. IMPORTANT** – Le raccordement électrique doit être effectué conformément aux données sur l'étiquette concernant le calibre; ne mettre l'appareil en marche qu'après l'avoir installé correctement. La sécurité en matière d'électricité ne peut être garantie que si l'appareil est branché à un dispositif différentiel (ou à un disjoncteur de fuite de terre) dont le courant résiduel ne dépasse pas 30 mA.
- 11. AVERTISSEMENT** – Risque de choc électrique. Cet appareil est muni d'un cordon trifilaire mis à la terre (fiche à trois broches). Cette fiche ne convient qu'à une prise de courant conçue pour les fiches à trois broches. Il s'agit d'un dispositif de sécurité. Si la fiche n'entre pas dans la prise, s'adresser à un électricien qualifié afin de remplacer la prise. Ne pas essayer d'aller à l'encontre du dispositif de sécurité de la broche de masse faisant partie des trois broches de la fiche. S'assurer que l'appareil est branché seulement à un dispositif différentiel ou à un disjoncteur de fuite de terre adéquatement mis à la terre dont le courant résiduel est de 30 mA.

CONSERVER CES MESURES DE SÉCURITÉ POUR CONSULTATION

MODE D'EMPLOI DE LA POMPE INFORMATION GÉNÉRALE

Convenablement installée, la pompe épuratrice Laguna fournit une circulation d'eau puissante et ininterrompue et requiert un entretien minimum.

- Cette pompe est équipée de deux adaptateurs de sortie (Ø 32 mm (1 ¼ po) / Ø 26 mm (1 po)).
- Cette pompe est entièrement submersible et conçue pour fonctionner continuellement dans l'eau douce à des températures ne dépassant pas 35 °C (95 °F).
- Le moteur et les raccordements électriques sont hermétiquement scellés afin d'assurer un fonctionnement sans danger et durable dans des conditions de l'eau extrêmes.
- Lorsqu'elle est utilisée avec la crépine (à sa base), cette pompe retirera l'eau jusqu'à une hauteur de 5 mm. Afin d'extraire de l'eau à un niveau inférieur à 5 mm, la crépine doit être enlevée; l'eau peut être baissée jusqu'à 2 mm sans endommager la pompe.
- Cette pompe est munie d'un moteur à entraînement magnétique un débit d'eau et une hauteur de colonne incroyables pour convenir à des cascades et des systèmes de filtration d'importance.
- Cette pompe peut être utilisée avec l'écumoire Laguna (PT495); elle sera alors installée dans la chambre pour la pompe située à l'arrière de l'écumoire.
- Cette pompe ne peut pas être employée pour des liquides potables, de l'eau de mer, ou encore pour des liquides inflammables, corrosifs, explosifs ou dangereux.

AVERTISSEMENT : Toujours débrancher tous les appareils dans le bassin de l'alimentation électrique avant d'installer, de réparer, d'entretenir ou de manipuler l'équipement dans l'eau.

Important : Afin d'assurer le meilleur rendement de la pompe, toujours se servir du tuyau du plus grand calibre possible. Éviter les plis serrés dans le tuyau; préférer des courbes égales.

INSTALLATION

AVERTISSEMENT : Ne pas brancher la pompe avant qu'elle soit correctement et entièrement installée.

1. Visser l'adaptateur de sortie fourni (Ø 32 mm (1 ¼ po) ou Ø 26 mm (1 po)) selon les besoins.
2. Raccorder un tuyau flexible (non inclus) de 26 mm (1 po) ou de 32 mm (1 ¼ po) à l'adaptateur de sortie du tuyau.
3. Déposer la pompe dans le bassin. S'assurer qu'elle est placée sur une surface plate et de niveau, dans une position stable et verticale, avec un maximum d'inclinaison de 15°. Afin d'empêcher la pompe d'aspirer la saleté directement du fond du bassin, il est recommandé de l'installer sur une surface surélevée (comme une brique ou une roche) étant au moins à 10 cm (4 po) du fond du bassin.
4. Brancher la pompe.

AVERTISSEMENT : La pompe doit être complètement submergée dans l'eau afin d'obtenir le refroidissement convenable du moteur. Le moteur de la pompe est conçu pour être refroidi par l'eau. Ne pas faire fonctionner la pompe à sec, car cela endommagera le moteur.

INSTALLATION À L'INTÉRIEUR DE L'ÉCUMOIRE (PT495) (Fig. 1)

AVERTISSEMENT : Ne pas brancher la pompe avant qu'elle soit correctement et entièrement installée.

1. Placer la pompe à l'intérieur de la chambre à l'arrière de l'écumoire.
2. Raccorder un tuyau flexible (non inclus) de 26 mm (1 po) ou de 32 mm (1 ¼ po) à l'adaptateur de sortie du tuyau. Utiliser un collier de serrage pour fixer le raccordement.
3. L'écumoire est munie de sorties prépercées pour la pompe de chaque côté du boîtier. Installer le tuyau à l'intérieur de la chambre par l'ouverture latérale de l'écumoire (du côté le plus compatible avec l'application). Les sorties de la pompe sont percées au-dessus du niveau de l'eau; il n'est donc pas nécessaire que le raccordement soit étanche. La sortie prépercée non utilisée peut simplement être obstruée avec une roche plate à l'extérieur du boîtier.

- Raccorder l'autre extrémité du tuyau à l'équipement de bassin approprié.
- Faire passer le cordon d'alimentation au-dessus de l'arrière de l'écumoire.
- Replacer le couvercle.
- Installer l'écumoire (PT495) selon le mode d'emploi.

CONSEIL : S'assurer que la longueur du tuyau raccordé à la sortie de la pompe est assez long pour remplir sa fonction.

ENTRETIEN

IMPORTANT: Le moteur et les raccordements électriques sont hermétiquement scellés et ne requièrent pas d'entretien. Le désassemblage du moteur ou la modification du cordon d'alimentation annuleront la garantie. Le cordon d'alimentation ne peut pas être remplacé. En cas de dommage au cordon électrique, la pompe doit être jetée et remplacée.

NETTOYAGE ET ENTRETIEN DE L'IMPULSEUR

AVERTISSEMENT : Toujours débrancher tous les appareils dans le bassin de l'alimentation électrique avant d'installer, de réparer, d'entretenir ou de manipuler l'équipement dans l'eau.

Afin d'éviter de raccourcir la durée de vie de la pompe, suivre ces simples procédures d'entretien :

- Une fois par semaine, vérifier que le rendement de la pompe est satisfaisant. S'il y a diminution de son rendement, nettoyer la crépine, l'impulseur et le boîtier de l'adaptateur de sortie en suivant le mode d'emploi ci-dessous :
- Débrancher la pompe de sa source d'alimentation et la déplacer dans un endroit sec et sans danger.
- Retirer la crépine du bas de la pompe. (Fig. 2).
- Dévisser le boîtier de l'adaptateur de sortie (x 4 vis) (Fig. 3) et le retirer légèrement en tapant doucement vers le bas. (Fig. 4).
- Sortir le bloc-rotor du boîtier du moteur. (Fig. 5).
- Nettoyer la crépine, le boîtier de l'adaptateur de sortie et le bloc-rotor avec de l'eau courante propre. Enlever tout solide ou tout excédent d'accumulation de débris des pales de l'impulseur.
- Une fois propre :**
 - Il est conseillé de lubrifier le joint torique du bloc-moteur avec le lubrifiant de silicone Laguna (PT595). Cela facilitera les désassemblages à venir pour l'entretien.
 - Réassembler le rotor à la pompe avec soin (s'assurer que le joint torique du moteur est en place). Afin que le rotor s'ajuste convenablement, veiller à s'assurer que les trous de guidage du boîtier de l'adaptateur de sortie et les ergots de guidage du boîtier du moteur sont alignés. (Fig. 6).
 - Faire pivoter doucement l'impulseur pour s'assurer qu'il tourne bien. (Fig. 7).
 - Réassembler le boîtier de l'adaptateur de sortie sur le boîtier du moteur et revisser (x 4).
 - Replacer la crépine (au besoin).

IMPORTANT: S'assurer que le couvercle de l'impulseur est entièrement submergé dans l'eau avant de brancher la pompe.

HIVERNISATION DE LA POMPE

Ne jamais utiliser à des températures sous le point de congélation

- Débrancher et retirer la pompe du bassin.
- Nettoyer doucement la saleté et les débris avec une brosse en nylon souple.
- Nettoyer la pompe à fond en suivant les directives de ce manuel.
- Ranger la pompe à l'intérieur pour de meilleurs résultats. Ne pas la ranger à des températures sous le point de congélation.
- Au moment de redémarrer le bassin ou un ornement aquatique au printemps, submerger la pompe dans le bassin pendant une heure avant de la mettre en marche.

GARANTIE – Cette pompe est garantie contre tout défaut de matériau et de fabrication pour une période de trois (3) ans à partir de la date d'achat. Cette garantie est valide seulement dans les conditions normales d'utilisation pour lesquelles la pompe a été conçue. Les articles seront réparés ou remplacés sans frais, à la discrétion du fabricant. Cette garantie ne s'applique à aucun appareil utilisé de façon inappropriée, avec négligence, ayant été modifié ou ayant subi des bris accidentels ou des dommages en raison d'un emballage défectueux ou d'une manutention inadéquate en transit. Cette garantie ne couvre pas l'usure normale des pièces et ne s'applique pas aux appareils qui ont été utilisés à des fins commerciales. La garantie se limite à la pompe seulement. La garantie ne couvre pas une pompe n'ayant fait l'objet d'aucun nettoyage ni entretien de routine tel qu'il est précisé dans le guide de l'utilisateur. Le moteur est scellé à l'usine dans une résine époxyde et toute modification annulera la garantie. Il faut cependant accéder au boîtier de la couronne pour l'entretien régulier. La garantie ne couvre pas la couronne. Le fabricant ne peut être tenu responsable des pertes ou des dommages causés aux animaux et aux biens, quelle qu'en soit la raison. Cette garantie ne modifie pas vos droits prévus par la loi. Cette garantie ne couvre pas les dommages ni les défauts occasionnés durant le transport ni les réparations ou les modifications de l'article ou de ses pièces, qui n'ont pas été effectuées par un technicien autorisé par Rolf C. Hagen inc.

Afin d'enregistrer la garantie en ligne ou pour plus de renseignements sur cet appareil ou sur d'autres articles, visiter le www.hagen.com.

Bomba con recogedor Laguna (PT362) - Para uso bajo el agua dulce solamente. Lea detenidamente estas instrucciones antes de la instalación y el uso.

MEDIDAS DE SEGURIDAD IMPORTANTES

WARNING - To guard against injury, basic safety precautions should be observed, including the following:

1. LEA Y CUMPLA TODAS LAS MEDIDAS DE SEGURIDAD

y todas las advertencias importantes sobre el uso y mantenimiento de este aparato. El caso omiso a estas advertencias puede ocasionar daños a la bomba o lesiones personales.

2. **PELIGRO:** Para evitar una posible descarga eléctrica, se debe tener especial cuidado, ya que se manipula agua al usar el equipo del estanque. En las situaciones que se describen a continuación, no intente hacer una reparación usted mismo; lleve el aparato a la tienda en la que fue adquirido si todavía está en garantía.
 - A. Si el aparato presenta indicios de una pérdida irregular de agua o si el dispositivo de corriente residual (o interruptor accionado por corriente de pérdida a tierra) se apaga, desconecte el cable de la fuente de alimentación del suministro eléctrico y retire la bomba del agua.
 - B. Inspeccione cuidadosamente el aparato una vez instalado. No utilice ningún aparato que tenga un cable o un enchufe dañados, que no funcione correctamente o que se haya caído o dañado de alguna manera. El cable de alimentación de este aparato no se puede cambiar; si se daña, deberá desechar el aparato. No corte nunca el cable.
3. **ADVERTENCIA:** Es necesario que tenga mucho cuidado cuando los niños usen cualquier tipo de aparato o se encuentren cerca de este. Este aparato no debe ser usado por personas (incluidos niños) con capacidades físicas, sensoriales o mentales reducidas, o personas sin experiencia ni conocimiento, a menos que sean supervisadas o hayan recibido instrucciones sobre el uso del aparato de parte de una persona responsable de su seguridad. Se debe supervisar a los niños para impedir que jueguen con el aparato.
4. Para evitar lesiones, no toque las piezas móviles ni las calientes.
5. **PRECAUCIÓN:** Siempre desenchufe o desconecte del suministro eléctrico todos los aparatos que están dentro del estanque antes de colocar las manos en el agua o antes de agregar o quitar piezas, o mientras instala, manipula o realiza el mantenimiento del equipo. Cuando coloque la bomba en el agua o la retire de allí, siempre desconecte el enchufe eléctrico principal. Nunca tire con fuerza del cable para quitar el enchufe del tomacorriente. Tome el enchufe y tire para desconectarlo. Siempre desenchufe el aparato cuando no lo utilice. Nunca levante la unidad del cable. Utilice el mango.
6. Esta es una bomba de estanques para uso sumergible y doméstico, en agua dulce únicamente. Esta bomba ha sido evaluada para uso con agua y en estanques decorativos únicamente. No la use con otra función para la que no fue destinada (p. ej.: no la utilice en piscinas, baños, etc.). El uso de accesorios no recomendados o no vendidos por el fabricante del aparato puede crear condiciones de uso peligrosas.
 - No use esta bomba en piscinas u otros lugares donde se sumerja gente.
 - Esta bomba es apta para uso en agua con una temperatura de hasta 35 °C.
 - No use este producto con líquidos inflamables o potables.
7. No instale ni guarde el aparato en lugares expuestos a la intemperie o a temperaturas bajo cero. Retire el aparato y guárdelo en un lugar protegido. Proteja la bomba de la exposición directa al sol. Los materiales poseen alta estabilidad a la luz solar, pero la exposición directa podría sobrecalentar el motor y acelerar el envejecimiento del aislante.
8. **IMPORTANTE:** Asegúrese de que la bomba esté bien instalada antes de utilizarla. No permita que la bomba se seque. La bomba debe estar completamente sumergida en agua. Nunca debe utilizarse fuera del agua.
9. Si necesitara una extensión, cerciórese de que la conexión sea hermética y a prueba de polvo. Se deberá usar un cable con calibre apropiado. Un cable para un amperaje o voltaje inferior al del aparato puede sobrecalentarse. Se debe tener cuidado al colocar el cable para que nadie se tropiece con él ni lo desenchufe. Un electricista calificado deberá realizar la conexión.
10. **IMPORTANTE:** La conexión eléctrica debe realizarse de acuerdo con los datos de la etiqueta de clasificación

eléctrica. El aparato puede utilizarse únicamente luego de haberlo instalado correctamente. La seguridad eléctrica puede garantizarse únicamente cuando el aparato se conecta a un dispositivo de corriente residual (RCD) o un interruptor accionado por corriente de pérdida a tierra (GFCI) con una corriente de funcionamiento residual que no supere los 30 mA.

- 11. ADVERTENCIA:** Riego de descarga eléctrica. Este aparato emplea un cable de 3 conductores (enchufe de 3 clavijas) y debe tener descarga a tierra. Este enchufe solo entrará en un tomacorriente eléctrico para un enchufe de 3 clavijas. Esta es una característica de seguridad. Si el enchufe no entrara en el tomacorriente, contacte a un electricista para que reemplace el tomacorriente. No intente anular la función de seguridad de la clavija con conexión a tierra del enchufe de 3 clavijas. Asegúrese de que esté conectado únicamente a un receptáculo equipado con un RCD o GFCI, con conexión a tierra a 30 mA.

CONSERVE ESTAS INSTRUCCIONES

INSTRUCCIONES DE LA BOMBA INFORMACIÓN GENERAL

Si se instala correctamente, la bomba con recogedor Laguna ofrece una potente circulación del agua sin interrupciones y requiere un mantenimiento infimo.

- Esta bomba viene equipada con dos adaptadores de salida de \varnothing 32 mm (1 ¼ pulg.)/ \varnothing 26 mm (1 pulg.)
- Es completamente sumergible y fue diseñada para funcionar continuamente en agua dulce a temperaturas que no superen los 35 °C (95 °F).
- El motor y las conexiones eléctricas están selladas herméticamente para garantizar un funcionamiento permanente en condiciones de agua extremas.
- Al usarla con la pantalla filtrante (en la base de la bomba), la bomba succionará el agua hasta 5 mm. Para succionar agua con un nivel inferior a 5 mm, se deberá extraer la pantalla filtrante; la bomba succionará el agua podrá hasta 2 mm sin que se dañe.
- Esta bomba presenta un motor de arrastre magnético que proporciona una asombrosa cantidad de flujo de agua y altura de elevación, lo que hace apto para amplios saltos de agua y sistemas filtrantes.
- La bomba puede usarse con el recogedor Laguna (PT495). Esta está instalada dentro de la cámara de la bomba, en la parte trasera del recogedor.
- Esta bomba no puede usarse con bebidas, agua de mar, líquidos inflamables, corrosivos, explosivos o peligrosos.

ADVERTENCIA: Siempre desenchufe o desconecte de la fuente de alimentación eléctrica todos los aparatos que están dentro del estanque antes de instalar, reparar, hacer el mantenimiento o manipular el equipo en el agua.

IMPORTANTE: Para que la bomba funcione de la mejor manera, siempre use la manguera del calibre más grande. Evite que la manguera se doble demasiado; se prefieren las curvas graduales.

PROCEDA A LA INSTALACIÓN

ADVERTENCIA: No enchufe la bomba antes de instalarla completa y correctamente.

1. Enrosque el adaptador de salida suministrado (\varnothing 32 mm [1 ¼ pulg.] o \varnothing 26 mm [1 pulg.]) de acuerdo con los requisitos.
2. Conecte una manguera flexible de 32 mm o 26 mm (no incluida) al adaptador de salida de la manguera.
3. Coloque la bomba en el estanque. Cerciórese de que la bomba esté ubicada en una superficie plana y a nivel, en una posición estable y vertical, con un máximo de inclinación de 15°. Para evitar que la bomba succione suciedad directamente del fondo de estanque, recomendamos que la instale en una superficie elevada (como un ladrillo o una roca) que esté al menos a 10 cm (4 pulg.) del fondo del acuario.
4. Enchufe la bomba.

ADVERTENCIA: La bomba debe estar completamente sumergida en el agua para que el motor se enfríe correctamente. El motor de la bomba fue diseñado para que se enfríe con el agua. No permita que la bomba funcione sin agua. De lo contrario, el motor se dañará.

INSTALACIÓN DEL RECOGEDOR INTERNO (PT495) (Fig. 1)

ADVERTENCIA : No enchufe la bomba antes de instalarla completa y correctamente.

- 1 Coloque la bomba dentro de la cámara, en la parte trasera del recogedor.
2. Conecte una manguera flexible de 32 mm o 26 mm (no incluida) al adaptador de salida de la manguera. Use una abrazadera para mangueras para fijar la conexión.
3. El recogedor está equipado con dos orificios de salida de la bomba perforados previamente en cada lado del recinto. Extienda el tubo dentro de la cámara por la abertura lateral del recogedor (el lado del recogedor que crea más compatible con su aplicación). Los orificios de salida de la bomba están perforados por encima del nivel del agua, de modo que no hace falta que ésta sea una conexión estanca al agua. El orificio perforado previamente que no se utilice se puede bloquear simplemente con una piedra plana en la parte exterior del recinto.
4. Coloque el otro extremo del tubo en el equipo de estanque correspondiente.

5. Extienda el cable eléctrico sobre la parte trasera del recogedor.
6. Coloque la tapa.
7. Instale el recogedor (PT495) según indican sus instrucciones.

SUGERENCIA: Procure que el tubo que conectará al orificio de salida de la bomba sea lo suficientemente largo como para efectuar la tarea deseada.

MANTENIMIENTO

IMPORTANTE: El motor y las conexiones eléctricas están sellados herméticamente y no requieren mantenimiento alguno. El desmontaje del motor o las alteraciones al cable de alimentación anularán la garantía. El cable de alimentación no puede reemplazarse. En caso de que el cable se dañe, la bomba debe desecharse y reemplazarse por otra.

LIMPIEZA Y MANTENIMIENTO DEL IMPULSOR

ADVERTENCIA: Siempre desenchufe o desconecte de la fuente de alimentación eléctrica todos los aparatos que están dentro del estanque antes de instalar, reparar, hacer el mantenimiento o manipular el equipo en el agua.

Para evitar reducir la vida útil de la bomba, respete los siguientes procedimientos de mantenimiento simples:

1. Una vez a la semana, verifique si el rendimiento de la bomba es satisfactorio. Si detecta una reducción del rendimiento, limpie la pantalla filtrante, el impulsor y la carcasa del orificio de salida, según las instrucciones que se mencionan más abajo:
2. Desconecte la bomba de su fuente de alimentación y traslade el aparato a un área seca y segura.
3. Extraiga la pantalla filtrante de la parte inferior de la bomba. (Fig. 2).
4. Desatornille la carcasa del orificio de salida (4 tornillos) (Fig. 3) y, para extraerla, dele un leve golpe hacia abajo. (Fig. 4).
5. Extraiga el conjunto del rotor de la carcasa del motor. (Fig. 5).
6. Limpie la pantalla filtrante, la carcasa del orificio de salida y el conjunto del rotor con agua corriente limpia. Quite cualquier residuo sólido o acumulación excesiva de desechos de las vetas del impulsor.
7. Efectuada la limpieza:
 - A. Se recomienda lubricar la junta tórica del conjunto del motor con lubricante de silicona Laguna (PT595). Este proceso facilitará el desmontaje posterior para hacer el mantenimiento.
 - B. Vuelva a colocar el rotor cuidadosamente en el cuerpo de la bomba (procure que la junta tórica que conecta al motor esté en su lugar). Para que el rotor encaje de modo adecuado, procure que los orificios piloto de la carcasa del orificio de salida y las clavijas posicionadoras en la carcasa del motor estén alineadas. (Fig. 6).
 - C. Gire suavemente el impulsor para garantizar que se mueva sin problemas. (Fig. 7).

- D. Vuelva a colocar la carcasa del orificio de salida en la carcasa del motor y sujete nuevamente los tornillos (4).
- E. Vuelva a colocar la pantalla filtrante (si es necesario).

IMPORTANTE: Procure que la tapa del impulsor esté completamente sumergida en el agua antes de enchufar la bomba.

ACONDICIONAMIENTO DE LA BOMBA PARA EL INVIERNO

Nunca la use en temperaturas bajo cero.

1. Desenchufe la bomba y extráigala del estanque.
2. Suavemente restriegue la suciedad y los desechos con un cepillo de nylon suave.
3. Limpie minuciosamente la bomba, según indican las instrucciones de este manual.
4. Guarde el aparato en el interior para obtener mejores resultados. No guarde la bomba donde haya temperaturas bajo cero.
5. Cuando vuelva a utilizar el estanque o la decoración acuática en la primavera, sumerja la bomba en el estanque durante 1 hora antes de ponerla en funcionamiento.

GARANTÍA — Esta bomba tiene una garantía por defectos en el material o en la fabricación por un período de tres (3) años a partir de la fecha de compra. Esta garantía sólo es válida en condiciones normales de funcionamiento para las cuales la bomba está destinada. Las bombas serán reparadas o reemplazadas según el criterio del fabricante, sin costo alguno. La garantía no se aplica a los aparatos que hayan sido sometidos a uso indebido, negligencia, maltrato, daño accidental o daño causado por un empaque defectuoso o por maltrato durante el transporte. Esta garantía no cubre el desgaste normal de las piezas y no se aplica a los aparatos que hayan sido utilizados con fines comerciales. Esta garantía se limita únicamente a la bomba. La garantía no cubre las bombas que no hayan recibido limpiezas o mantenimientos periódicos de rutina tal como se describe en la guía del usuario. El motor se sella en fábrica con una resina de epoxi; el maltrato anulará la garantía. Se debe acceder a la carcasa del impulsor para su mantenimiento regular. La garantía no cubre el impulsor. No se asume ninguna responsabilidad en relación con la pérdida o daños de los animales de cría o de la propiedad personal independientemente de qué los ocasione. Esta garantía no afecta sus derechos establecidos por ley. Esta garantía no cubre daños ni defectos causados o generados a partir del envío del producto o de reparaciones, alteraciones o mantenimiento hechos al producto o a cualquiera de sus piezas por una persona no autorizada por Rolf C. Hagen Inc.

Para registrar su garantía en línea o para obtener más información sobre éste u otros productos, visite www.hagen.com.

SERVICE

If you have a problem or question about the operation of this product, please let us try to help you before you return the product. Most problems can be handled promptly over the phone. When you call, please have all relevant information, such as model number and/or part numbers.

Call our Customer Service Department:

CANADA ONLY: Toll Free Number 1-800-55HAGEN (1-800-554-2436) - Between 9:00 AM and 4:30 PM Eastern Time.

U.S. ONLY: Toll Free Number 1-800-724-2436 - Between 9:00 AM and 4:00 PM Eastern Time.

U.K. ONLY: Toll Free Number 01977 556622 - Between 9:00 AM and 5:00 PM.

AUTHORIZED WARRANTY REPAIR SERVICE

If this product is defective, return it along with proof of purchase to either the store where you bought it or to:

Canada: **Rolf C Hagen Inc.**, 20500 Trans Canada Hwy, Baie d'Urfe, QC H9X 0A2

Rolf C. Hagen Inc., 8770-24th Street, Edmonton AB T6P 1X8

U.S.A.: Rolf C. Hagen (U.S.A.) Corp., 305 Forbes Blvd, Mansfield, MA. 02048

U.K.: Rolf C. Hagen (UK) Ltd., California, Dr. Whitwood Industrial Estate Castleford, West Yorkshire WF10 5QH

For more information on service for your local area please visit:

www.lagunaponds.com and/or **www.hagen.com**

SERVICE

Si cet appareil vous semble défectueux ou que vous vous posez des questions quant à son fonctionnement, n'hésitez pas à communiquer avec nous avant de le retourner au marchand. Notre ligne téléphonique nous permet de régler la plupart des problèmes. S.V.P. ayez en main tous les renseignements pertinents (p. ex. le numéro du modèle ou de la pièce).

Pour contacter notre service à la clientèle :

SEULEMENT AU CANADA : numéro sans frais 1 800 55HAGEN (1 800 554-2436) - Entre 9 h et 16 h 30 (HNE)

SEULEMENT EN FRANCE : 01 64 88 14 18 - Entre 9 h et 16 h 45

RÉPARATION D'UN ARTI CLE SOUS GARANTIE

Si l'appareil est défectueux, le retourner avec une preuve d'achat à l'animalerie de votre région ou à :

Canada : **Rolf C Hagen inc.**, 20500, Trans Canada Hwy, Baie d'Urfe, QC H9X 0A2

Pour plus d'information sur les services accessibles dans votre région, veuillez visiter :

www.lagunaponds.com ou **www.hagen.com**

SERVICIO

Si tiene algún inconveniente o preguntas acerca del funcionamiento de este producto, permítanos ayudarlo antes de devolverlo. La mayoría de los problemas puede resolverse inmediatamente mediante una llamada. Cuando llame, tenga disponible toda la información importante, como el número del modelo o los números de las piezas.

Llame a nuestro departamento de Servicio a la clientela:

SOLO EN CANADÁ: Línea gratuita 1-800-55HAGEN (1-800-554-2436) – Entre las 9.00 y las 16.30, hora del Este.

SOLO EN EE. UU.: Línea gratuita 1-800-724-2436 - Entre las 9.00 y las 16.00, hora del Este.

SOLO EN EL REINO UNIDO: Línea gratuita 01977 556622 – Entre las 9.00 y las 17.00 horas.

SERVICIO DE REPARACIÓN AUTORIZADO CON GARANTÍA

Si este producto resultase defectuoso, devuélvalo junto con la prueba de compra a la tienda donde fue adquirido o bien a:

Canadá: **Rolf C Hagen Inc.**, 20500 Trans Canada Hwy, Baie d'Urfe, QC H9X 0A2

Rolf C. Hagen Inc., 8770-24th Street, Edmonton AB T6P 1X8

EE. UU.: **Rolf C. Hagen (U.S.A.) Corp.**, 305 Forbes Blvd, Mansfield, MA. 02048

Reino Unido: **Rolf C. Hagen (UK) Ltd.**, California, Dr. Whitwood Industrial Estate Castleford, West Yorkshire WF10 5QH

Para obtener más información sobre el servicio para su área local, visite:

www.lagunaponds.com y/o **www.hagen.com**



Distributed by:

Canada: **Rolf C. Hagen Inc.**, Montreal, QC H9X 0A2

U.S.A.: **Rolf C. Hagen (U.S.A.) Corp.**, Mansfield, MA. 02048

U.K.: **Rolf C. Hagen (U.K.) Ltd.**, Castleford, W. Yorkshire WF10 5QH

France: **Hagen France SA.**, F-77388 Combs la Ville.

Germany: **Hagen Deutschland GmbH & Co. KG.** 25488 Holm

Spain: **Rolf C. Hagen España S.A.**, Av. de Beniparrell n. 11 y 13, 46460 Silla, Valencia

Malaysia: **Rolf C. Hagen (SEA)** Sdn Bhd 43200 Cheras, Selangor D.E.

Printed in China

Ver.: 37/11-NA

Laguna and Hagen are registered trademarks of Rolf C. Hagen Inc.

www.lagunaponds.com